

## Product Stereogram of Straight to PCB Connectors (S Type)



R04-21PIS



R04-21RHS

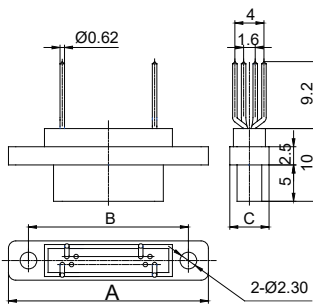


R04-51PIS

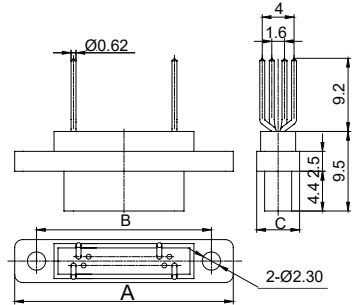


R04-51RHS

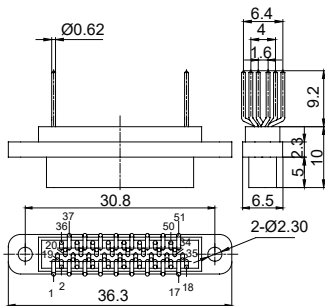
## Outline Dimensions



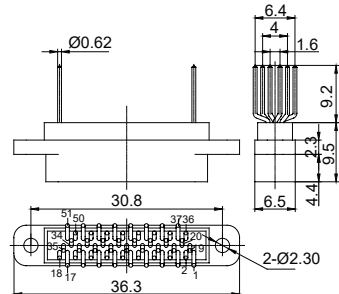
R04-9~37PIS



R04-9~37RHS



R04-51PIS



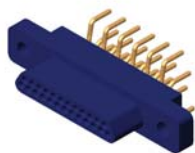
R04-51RHS

Part Number	A	B	C	Part Number	A	B	C
R04-9PIS	19.8	14.3	5.4	R04-9RHS	19.8	14.3	5.4
R04-15PIS	23.6	18.2	5.4	R04-15RHS	23.6	18.2	5.4
R04-21PIS	27.5	22	5.4	R04-21RHS	27.5	22	5.4
R04-25PIS	30	24.5	5.4	R04-25RHS	30	24.5	5.4
R04-31PIS	33.7	28.3	5.4	R04-31RHS	33.7	28.3	5.4
R04-37PIS	37.5	32.2	5.4	R04-37RHS	37.5	32.2	5.4

Remark: All dimensions are in mm.



**Product Stereogram of Straight to PCB Connectors (S1 Type)**



R04-25PIS1



R04-25RHS1

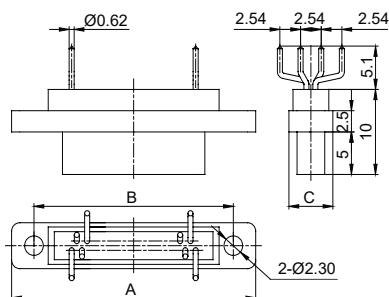


R04-51PIS1

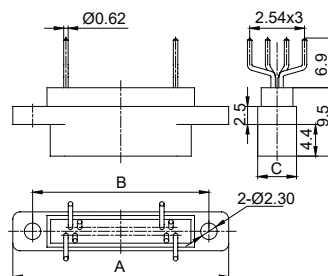


R04-51RHS1

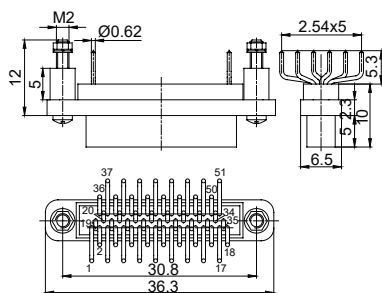
**Outline Dimensions**



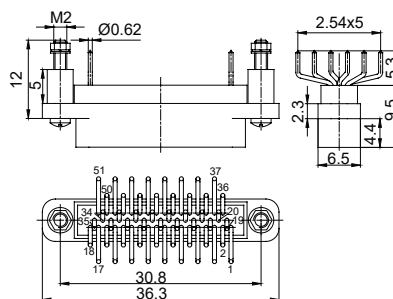
R04-9~37PIS1



R04-9~37RHS1



R04-51PIS1



R04-51RHS1

Part Number	A	B	C	Part Number	A	B	C
R04-9PIS1	19.8	14.3	5.4	R04-9RHS1	19.8	14.3	5.4
R04-15PIS1	23.6	18.2	5.4	R04-15RHS1	23.6	18.2	5.4
R04-21PIS1	27.5	22	5.4	R04-21RHS1	27.5	22	5.4
R04-25PIS1	30	24.5	5.4	R04-25RHS1	30	24.5	5.4
R04-31PIS1	33.7	28.3	5.4	R04-31RHS1	33.7	28.3	5.4
R04-37PIS1	37.5	32.2	5.4	R04-37RHS1	37.5	32.2	5.4

Remark: All dimensions are in mm.

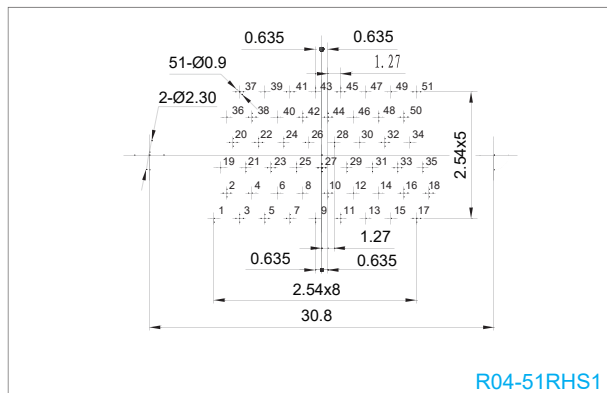
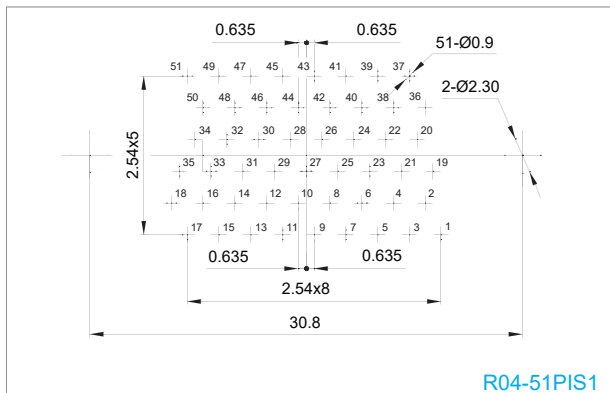
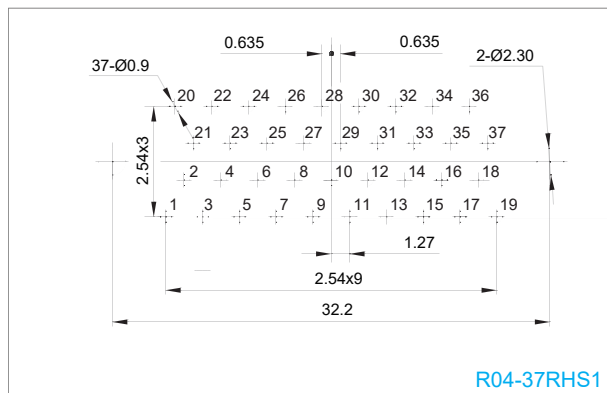
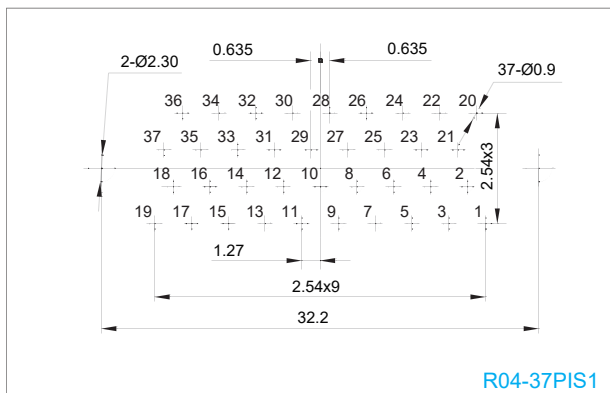
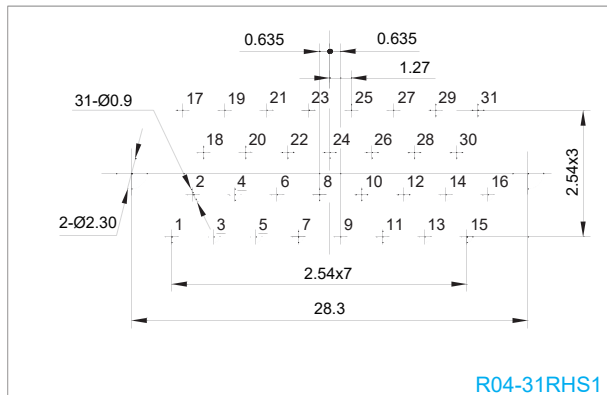
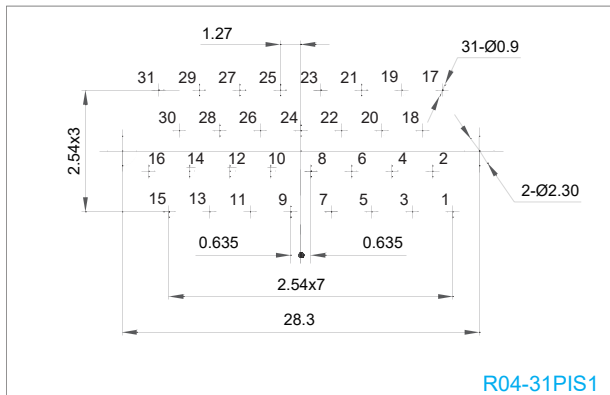








## Straight to PCB Connectors (S1 Type)--PCB Layout



Remark: All dimensions are in mm.